

# Rifton Stander Size 2

Thank you for choosing the Rifton Stander system.

This quick reference guide will help you with basic adjustments.

**⚠ WARNING** For more details and important safety information and warnings, please consult the product manual.



UH73 Rev.00 © 2023 Rifton Equipment



Supine

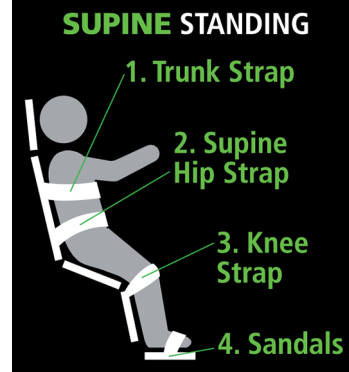


Prone

## Quick Reference Guide

### CRITICAL SUPPORTS

#### SUPINE STANDING



#### PRONE STANDING



Initial stander configuration should be done by a qualified professional.

The Rifton stander system can be configured for prone or supine use. Review the available components to determine which your stander can be used for. Additional components can be obtained from [www.rifton.com](http://www.rifton.com).

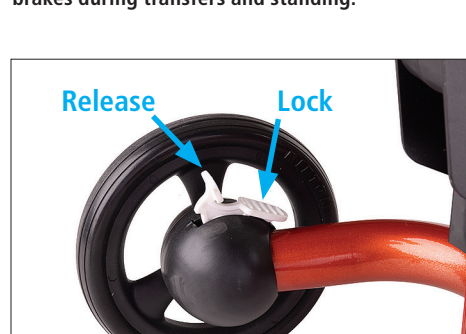
Straps have color coded tags. Use components with **GREEN** tags for supine positioning, and components with **BLUE** tags for prone positioning.

**⚠ WARNING** To avoid falls or strangulation, always ensure the correct straps and supports are used in each configuration. The infographic to the left shows the minimum straps and supports required for safe positioning in prone and supine standing.

These minimum supports are denoted throughout this guide by \* for supine and \* for prone.

#### Brakes

**⚠ WARNING** Product can tip over if used incorrectly. Always engage brakes during transfers and standing.



#### Height Adjustment

Use the hand crank to adjust stander height.



#### Body support tilt

**⚠ WARNING** To prevent falls or other injury, ensure all straps are secure and knobs tight before tilting client to a standing position.

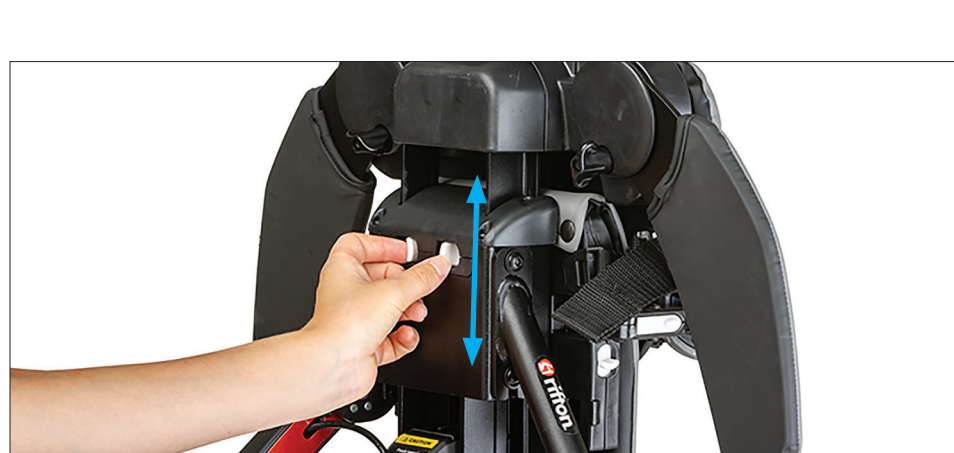
Grasp the handle firmly and squeeze the double trigger to adjust the body support angle.



#### \*Upper trunk support

##### SUPINE ONLY

Adjust the upper trunk support height by squeezing the two white triggers and moving it to the desired location.



#### Headrest

##### SUPINE ONLY

The headrest is attached to the upper trunk support. Adjust the headrest forward and back using the center knob (A). Optional head laterals slide into the slots behind the headrest. Loosen the knob to adjust independently in height and width.

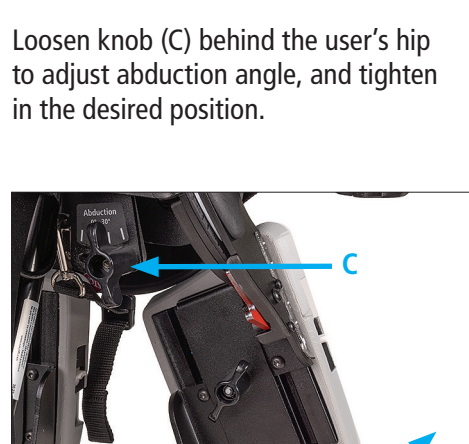
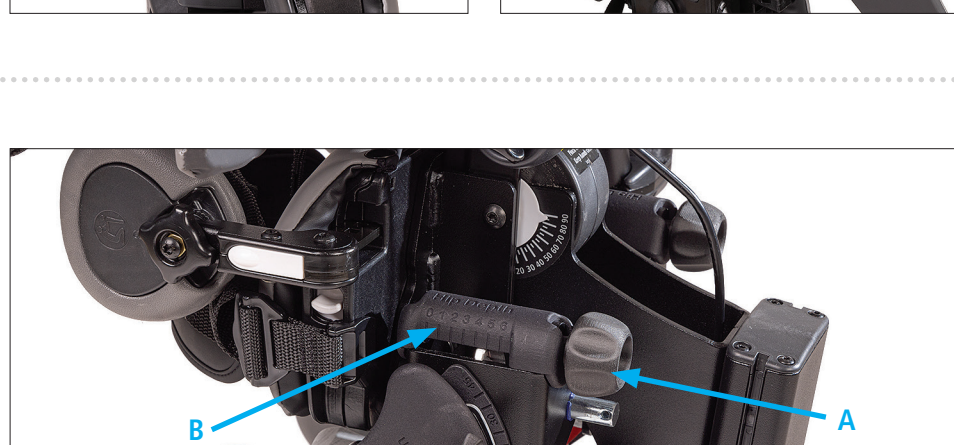


#### Hip depth adjustment

Adjust the hip depth, moving the whole leg support forward or back relative to the body support by turning the top knob (A) behind the hip support pad. Read the position on the indicator (B).

#### Hip abduction

Loosen knob (C) behind the user's hip to adjust abduction angle, and tighten in the desired position.



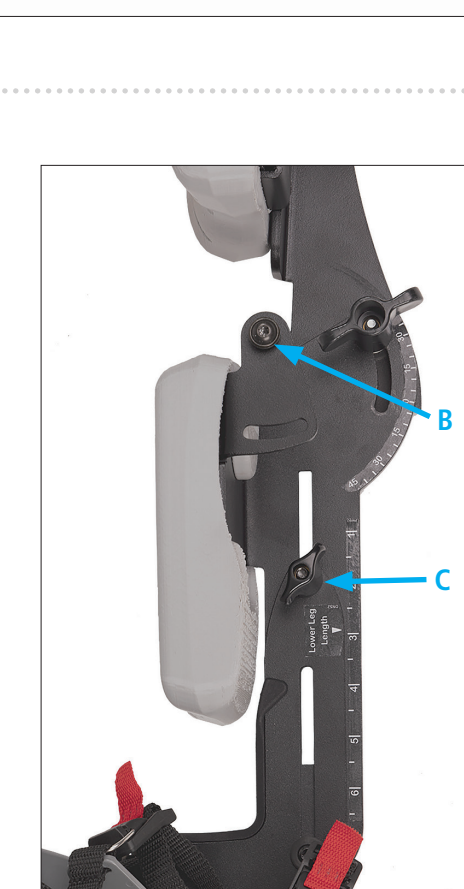
#### Thigh length

Loosen the knob (A) behind the center of the thigh (A) pad and adjust the length of the hip to knee segment. It is easier to move this by pushing up, or down lower on the leg support, near the sandal.

**TIP:** Align the user's hips at the labeled marking. Align the center of the user's knee at the strap attachment posts (B).

#### Lower leg length

Loosen the knob (C) behind the lower leg pad and adjust the length of the knee to foot segment.

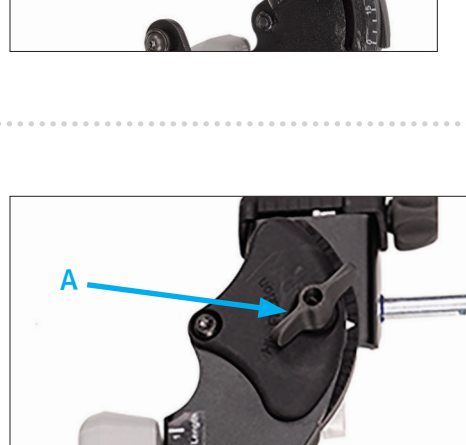


#### Hip Flexion

Adjust hip flexion using the knob (A) toward the outside of the hip. To adjust the leg support below the plane of the body support, pull the red trigger (B).

#### Knee Flexion

Adjust the knee flexion angle using the knob (C) behind the knee.



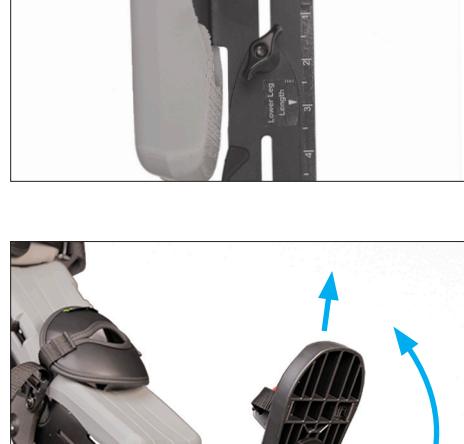
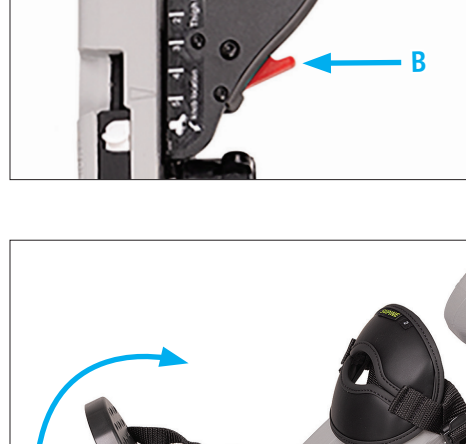
#### Ankle plantar flexion/dorsiflexion

Use the knob on the inner side of the sandal to adjust ankle plantar flexion/dorsiflexion.

#### \*\*Sandals

Loosen the knob under the sandal to rotate the sandal or move it forward or backward.

The front and rear foot straps have magnetic buckles. Adjust the length of the heel cup using the velcro strap.



Frame Adjustments

Frame Adjustments

Body Support Adjustments

Hip Adjustments

Thigh Length / Leg Length

Advanced Leg supports

Ankle / Sandals

## Tray

Loosen the knob that faces forward to adjust tray height.

## Tray adjustments

Loosen all three knobs that face downward to rotate and position the tray. The knob under the center of the tray also allows some angle adjustment.



Tray Adjustments

## Medial/Lateral thigh supports

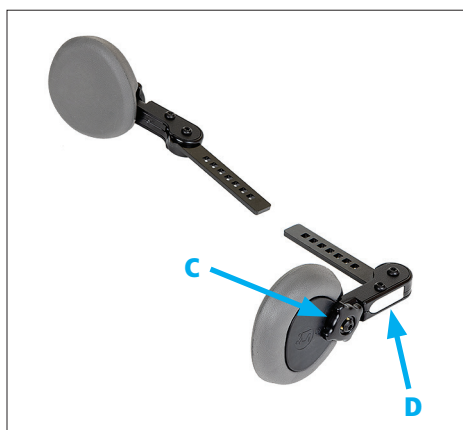
Mount the medial/lateral thigh supports on the inside for medial support, or on the outside for lateral support, or on the outside for lateral support. Adjust the width using the white trigger (A). The mounting bracket is off-center, so the pad has two possible height positions. Swap pads to change height position.



Thigh Medial / Laterals

## Trunk laterals

Attach the laterals at the level of either the trunk or pelvis. Adjust width using trigger (B) on the side of body support. Adjust height by loosening the knob (C) on the outside and moving the pad up or down. The pads swing away from transfers using the white button (D).



Trunk Laterals

## All straps

To attach straps to the body support, insert the tip of the clip into the correct socket behind the body support and pull forward until it clicks. Pull the clip back and away from the pad to remove the strap.



All Straps

## \*\*Trunk strap/trunk rotation control strap

**WARNING** To prevent falls or other injury, all users should be secured with a trunk strap (or butterfly harness in supine configuration).

These straps may be used in prone or supine. The rotation control strap has a webbing loop that runs behind the pad. Close the padded strap snugly around the user, then close the buckle and tighten either side to control rotation of the trunk.



Trunk Strap

## \*Hip strap/hip rotation control strap

These straps are used in supine configuration. The rotation control strap has a webbing loop that runs behind the trunk support pad. Close the padded strap snugly around the user, then close the buckle and tighten either side to control rotation of the pelvis.



Supine Hip Strap

## Butterfly harness

**WARNING** To prevent strangulation, always attach center safety strap and make sure all straps are snug before every use.

In supine standing a butterfly harness may be used in place of a trunk strap. Use all five attachment points.



Butterfly Harness

## \*Knee straps

**WARNING** To prevent strangulation or other injury, in supine the user's knees MUST be secured with knee straps.

The knee straps clip onto the posts on either side of the knee. Pull the strap end to tighten and pull the plastic tab to loosen before unclipping the strap.



Knee Straps

## \*Pelvic harness

**WARNING** To prevent strangulation or other injury, in prone standing the prone pelvic harness MUST be used with all five attachment points secured.

Use the three buckles on the right side and center when transferring the user in and out. Tighten lower side straps first when positioning.



Pelvic Harness

## Prone knee cuff

The prone knee cuffs clip onto the posts on either side of the knee. Pull the strap end to tighten and pull the plastic tab to loosen before unclipping the strap.



Prone Knee Cuffs

## Multi-Position Stander ONLY – Switching between PRONE and SUPINE

### 1. Remove upper trunk support

Squeeze the triggers on the back of the trunk support. Pull the upper trunk support up and rotate it back to remove it.

### 2. Switch tray direction

If the tray is used, loosen the attachment knob (A), remove the tray and attach it facing the other direction. For use in prone, adjust the tray up, and the caregiver handle down and out of the way.

### 3. Switch to pelvic harness

Remove the supine hip strap. Install the pelvic harness by attaching all 5 attachment clips.

### 4. Remove knee straps

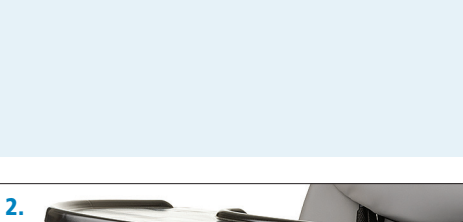
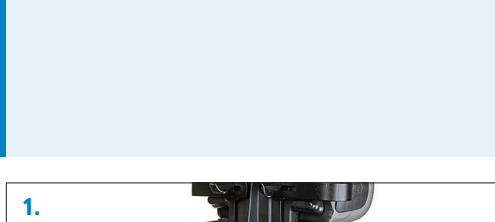
Optional prone knee cuffs may be added.

### 5. Rotate sandals 180°

Loosen the knob under the sandal (B), rotate it to the desired position, and tighten the knob.

### 6. Adjust leg supports

Adjust hip flexion and knee flexion if using the advanced leg supports.



### 1. Add upper trunk support

Insert the stampings into slots on top of body support. Squeeze triggers on back of body support to adjust the upper trunk support down to the desired position.

### 2. Switch tray direction

If the tray is used, loosen attachment knob (A), remove the tray and attach it facing the other direction.

### 3. Switch to supine hip strap

Remove the pelvic harness at all 5 attachment points. Install the supine hip strap (standard, or rotation control).

### 4. Add knee straps

Clip the knee straps onto the posts on either side of the knee.

### 5. Rotate sandals 180°

Loosen the knob under the sandal (B), rotate it to the desired position, and tighten the knob.

### 6. Adjust leg supports

Adjust hip and knee flexion if using the advanced leg supports.

TO PRONE

TO SUPINE